



Specification grade area lights available in IES Type III distributions. For use for roadway, general parking and other area lighting applications where a larger pool of lighting is required. Patent pending thermal management system. 5 Year Warranty.

Color: White

Weight: 32.0 lbs

Project:	Type:
Prepared By:	Date:

Driver Info		LED Info	
Type:	Constant Current	Watts:	150W
120V:	1.31A	Color Temp:	5000K
208V:	0.80A	Color Accuracy:	71 CRI
240V:	0.69A	L70 Lifespan:	100000
277V:	0.60A	Lumens:	16839
Input Watts:	155W	Efficacy:	108 LPW
Efficiency:	97%		

Technical Specifications

Listings

UL Listing:

Suitable for wet locations.

DLC Listed:

This product is on the Design Lights Consortium (DLC) Qualified Products List and is eligible for rebates from DLC Member Utilities.

DLC Product Code: P0000175C

IESNA LM-79 & LM-80 Testing:

RAB LED luminaires have been tested by an independent laboratory in accordance with IESNA LM-79 and LM-80, and have been received the Department of Energy "Lighting Facts" label.

Dark Sky Approved:

The International Dark Sky Association has approved this product as a full cutoff, fully shielded luminaire.

LED Characteristics

Lifespan:

100,000-hour LED lifespan based on IES LM-80 results and TM-21 calculations.

LEDs:

Multi-chip, high-output, long-life LEDs

Color Consistency:

7-step MacAdam Ellipse binning to achieve consistent fixture-to-fixture color.

Color Stability:

LED color temperature is warrantied to shift no more than 200K in CCT over a 5 year period.

Color Uniformity:

RAB's range of CCT (Correlated Color Temperature) follows the guidelines of the American National Standard for Specifications for the Chromaticity of Solid State Lighting (SSL) Products, ANSI C78.377-2017.

Construction

IES Classification:

The Type III distribution is ideal for roadway, general parking and other area lighting applications where a larger pool of lighting is required. It is intended to be located near the side of the area, allowing the light to project outward and fill the area.

Effective Projected Area:

EPA = 0.75

Maximum Ambient Temperature:

Suitable for use in 40°C (104°F) ambient temperatures

Cold Weather Starting:

Minimum starting temperature is -40°C (-40°F)

Thermal Management:

Superior thermal management with external "Air-Flow" fins.

Lens:

Tempered glass lens.

Housing:

Die-cast aluminum housing, lens frame and mounting arm.

IP Rating:

Ingress Protection rating of IP66 for dust and water

Mounting:

Universal mounting arm compatible for hole spacing patterns from 1" to 5 1/2" center to center. Round Pole Adaptor plate included as a standard. Easy slide and lock to mount fixture with ease.

Reflector:

Specular vacuum-metallized polycarbonate

Gaskets:

High-temperature silicone gaskets

Finish:

Formulated for high-durability and long lasting color.

Green Technology:

Mercury and UV free. RoHS compliant components. Polyester powder coat finish formulated without the use of VOC or toxic heavy metals.

For use on LEED Buildings:

IDA Dark Sky Approval means that this fixture can be used to achieve LEED Credits for Light Pollution Reduction.

Electrical

Drivers:

Two Drivers, Constant Current, Class 2, 2000mA, 100-277V, 50-60Hz, Power Factor 99%

THD:

6% at 120V, 11.3% at 277V

Surge Protection:

4kV

Technical Specifications (continued)

Other

California Title 24:

See ALED3T150/D10, ALED3T150/BL, ALED3T150/PCS, ALED3T150/PCS2, or ALED3T150/PCT for a 2013 California Title 24 compliant product. Any additional component requirements will be listed in the Title 24 section under technical specifications on the product page.

Compatibility:

Compatible with Round Poles with a diameter of 2.5" to 6"

Warranty:

RAB warrants that our LED products will be free from defects in materials and workmanship for a period of five (5) years from the date of delivery to the end user, including coverage of light output, color stability, driver performance and fixture finish.

Replacement:

Replaces 400W Metal Halide

FTC Country of Origin:

This product was assembled in the USA by RAB using imported components.

Buy American Act Compliance:

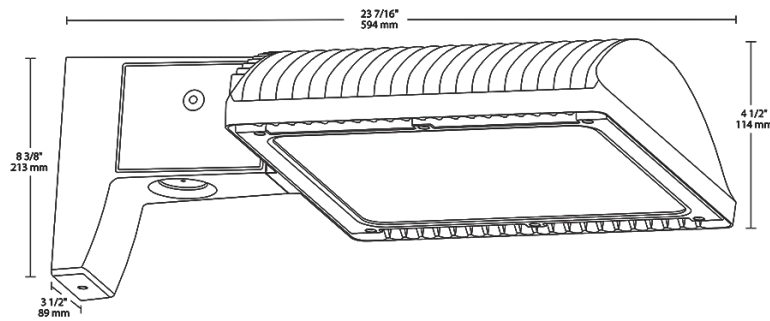
This product complies with the Buy American Act.

Optical

BUG Rating:

B1 U0 G2

Dimensions



Features

- 66% energy cost savings vs. HID
- 100,000-hour LED lifespan
- Type III distribution
- 5-year warranty

Ordering Matrix

Family	Optics	Wattage	Mounting	Color Temp	Finish	Driver Options	Photocell Options
ALED	3T	150			W		
	2T = Type II	50 = 50W 78 = 78W	Blank = Pole mount	Blank = 5000K (Cool)	Blank = Bronze	Blank = 120-277V /480 = 480V (not available for 150W)	Blank = No Option
	3T = Type III	105 = 105W	SF = Slipfitter	N = 4000K (Neutral)	RG = Roadway Gray	/BL = Bi-Level	/PC = 120V Button Photocell (Pole mount models only)
	4T = Type IV	125 = 125W 150 = 150W		Y = 3000K (Warm)	W = White	/D10 = 0-10V Dimming	/PC2 = 277V Button Photocell (Pole mount models only)
							/PCT = 120-277V Twistlock Photocell (Pole mount models only)
							/PCT4 = 480V Twistlock Photocell (Pole mount models only)
							/PCS = 120V Swivel Photocell
							/PCS2 = 277V Swivel Photocell
							/PCS4 = 480V Swivel Photocell
							/WS2 = Multi-Level Motion Sensor 20 ft. (Only available 0-10V dimming models)
							/WS4 = Multi-Level Motion Sensor 40 ft. (Only available 0-10V dimming models)